

2022 TECHNICAL REGULATIONS

Revision Date: 11/16/2021



Series:

IMSA PROTOTYPE CHALLENGE



Class:

LE MANS PROTOTYPE 3



Sanctioned by:

**INTERNATIONAL
MOTOR SPORTS
ASSOCIATION**

One Daytona Blvd.
Daytona Beach, FL 32114
(O) +1 (386) 310-6500
(F) +1 (386) 310-6695
www.imsa.com

Table of Contents

| | | | | | |
|---|---|---|------------------------------------|--|----|
| Foreword: | 3 | 7.7. | Bodywork | 11 | |
| ARTICLE 1. DEFINITIONS SPECIFIC TO THE TECHNICAL REGULATIONS | 6 | 7.8. | Aerodynamic Elements | 11 | |
| ARTICLE 2. TECHNICAL PHILOSOPHY | 6 | 7.9. | Engine System | 11 | |
| 2.1. | Technical Eligibility | 6 | 7.10. | Boost Management | 12 |
| 2.2. | Balance of Performance Adjustment | 7 | 7.11. | Drive System | 12 |
| 2.3. | Changes | 7 | 7.12. | Cooling System | 12 |
| 2.4. | Conflict Resolution | 7 | 7.13. | Fuel System | 13 |
| 2.5. | Final Authority | 7 | 7.14. | Brake System | 13 |
| 2.6. | Conditions for Use of a Specific Homologation | 7 | 7.15. | Steering System | 13 |
| ARTICLE 3. TECHNICAL TESTING AND VERIFICATION | 7 | 7.16. | Suspension System | 13 | |
| 3.1. | Reference Components | 7 | 7.17. | Wheels & Tires | 14 |
| 3.2. | Technical Testing | 8 | 7.18. | Electronics | 14 |
| ARTICLE 4. BALANCE OF PERFORMANCE | 8 | ARTICLE 8. SERIES REQUIRED ELECTRONICS | 15 | | |
| 4.1. | Balance of Performance | 8 | 8.1. | Series Scrutineering Data System | 15 |
| ARTICLE 5. SAFETY | 8 | 8.2. | Safety Light System | 15 | |
| 5.1. | Driver Safety Harness System | 8 | 8.3. | X2 Transponder System | 16 |
| 5.2. | Seat | 8 | 8.4. | Leader Light System | 17 |
| 5.3. | Driver Containment Nets | 8 | 8.5. | Back-lit Panel | 17 |
| 5.4. | Protective Padding | 8 | 8.6. | Pro-Am Light | 17 |
| 5.5. | Protective Shielding | 9 | 8.7. | In-Car Camera | 17 |
| 5.6. | Master Electrical Switches | 9 | ARTICLE 9. REFUELING SYSTEM | 17 | |
| 5.7. | Fire Suppression System | 9 | 9.1. | Fuel Transfer | 17 |
| ARTICLE 6. DEFINITION OF CLASS | 9 | 9.2. | Pit Tank | 17 | |
| 6.1. | LMP3 | 9 | 9.3. | Peripheral Connections | 18 |
| ARTICLE 7. VEHICLE SYSTEMS | 9 | 9.4. | Refueling Hose | 19 | |
| 7.1. | General | 9 | 9.5. | Tank Support Stand | 19 |
| 7.2. | Modifications to the Specification | 10 | 9.6. | Boom | 19 |
| 7.3. | Servicing, Repair, and Replacement | 10 | 9.7. | Refueling Restrictor | 19 |
| 7.4. | Dimensions | 10 | 9.8. | Autonomous Tank Sensor System | 20 |
| 7.5. | Chassis | 11 | | | |
| 7.6. | Driver Interface | 11 | | | |

Foreword:

For all Members, the IMSA RULES of the International Motor Sports Association establish the foundation for the organization and conduct of all IMSA Sanctioned Events. The IMSA RULES take effect immediately upon publication.

The purpose of the RULES is to: (i) promote safety, the sport of automobile Competition and IMSA, (ii) enhance Competition, (iii) ensure the quality, fairness and integrity of the IMSA programs and operations and (iv) achieve prompt finality in the Competition results (“**Purpose**”).

ALL MEMBERS ARE REQUIRED TO REVIEW THESE IMSA RULES CAREFULLY.

The **IMSA RULES** consist of following three (3) sections and the Event Supplementary Regulations (**SR**):

- The Technical Regulations, which outline the rules and regulations for the specific cars and equipment. The Technical Regulations may be modified or changed at any time by the publication of a Technical Bulletin, amending the Technical Regulations.
- The IMSA Sporting Regulations (**ISR**), which concern Competitor and Event procedures, as well as guidelines for the safe and uniform operation of the sport. The ISR may be modified or changed at any time by the publication of a Competition Bulletin, amending the ISR.
- The Series Supplementary Regulations (**SSR**) that provides Series-specific information about each IMSA Series. The SSR is integrated into the ISR and are designated with “(SSR)” next to the Paragraph title. The SSR may be modified or changed at any time by the publication of a Competition Bulletin, amending the SSR.

Any portion of the RULES may be modified through Bulletins (Competition Bulletins and Technical Bulletins, respectively) and takes force when published. Once published, the Bulletin shall take precedence over the applicable portion of the RULES. Additionally, the RULES may be modified for an Event by the Race Director through the mandatory briefing instructions.

HOW TO READ THE RULES

IMSA Technical Regulations for all Classes of the IMSA Prototype Challenge follow a common philosophy. The IMSA Technical Regulation philosophy can be summed in the following concepts:

- Cars are constructed and regulated to a controlled standard, the vehicle Homologation.
- Modifications to the Car are not permitted unless specifically stated in the applicable class’s Technical Regulations.
- The Car, at all times, must adhere to:
 - The current Homologation Document(s) and valid extension documents (e.g., EVO).
 - The Manufacturer’s or Constructor’s Parts Manual.
 - Manufacturer submitted and IMSA approved declarations (where applicable).
 - The IMSA Technical Regulations for the Class
- Normal adjustment of the Car is permitted as defined by the applicable Car’s Homologation and Class’s Technical Regulations.
- Repair of the Car, parts, and components is permitted, provided it serves no additional purpose other than the repair itself. All such repairs must meet all Constructor / Manufacturer specifications and regulatory requirements.

(cont.)

Modifications by an Entrant to parts, systems, and/or components of the Car is not permitted for any reason. An Entrant wishing to perform any modification(s) must present modification(s) to the applicable Manufacturer or Constructor for formal approval from the applicable Homologating Authority for the Class. Entrants are not permitted to work directly with a Homologating Authority(s).

Entrants must have a current copy of the applicable Homologation for their Car Model at all times, as well as full access to the Manufacturer's / Constructor's Part Manual. Both of these documents together clearly identify the compliant specification of the Car and will be used as reference materials for both the Entrant and IMSA. A copy of the Homologation may be provided by the applicable Manufacturer / Constructor or purchased from the Homologating Authority.

IMSA's regulations work in conjunction with Homologation regulations from a Homologating Authority. This sometimes creates conflicts across the various regulation sets. Often the Homologating Authority has a combined set of Technical and Homologation regulations.

The hierarchy of these various regulations applies in descending order is as follows:

1. IMSA Class Technical Regulations and Bulletins
2. These IMSA Technical Regulations shall govern in any case where a conflict exists with the Homologation Regulations and Documentation.
3. Homologation Authority Technical Regulations and corresponding Homologation Form & Parts Book

Example 1: Incorrect process

A Team has found that a suspension part of the Car is prone to failure when going over large bumps. The Team chooses to resolve the problem on their own and modifies the part with components made in their own shop, which are not in the Homologation or Parts Manual of the Car. IMSA Technical Staff find this modification during a post-Race inspection. IMSA finds that the car is not in the approved configuration and the Entrant is penalized.

Example 2: Correct process

A Team suspects a part on the Car may be prone to failure during longer races. The Team therefore informs their Manufacturer or Constructor representative of their concern. The Manufacturer or Constructor agrees that a modification or redesign is appropriate and submits a written proposal with supporting documentation to the Homologating Authority for review. Upon approval the Homologation documents are updated and distributed for equitable customer awareness and part implementation.

Homologation Authority for each Class:

| Class | Homologating Authority |
|-------|------------------------|
| P3 | ACO |

EXECUTIVE LEADERSHIP MASTHEAD

| | |
|---|---|
| John Bishop* / Bill France, Sr.* | Founders – IMSA |
| Dr. Don Panoz* | Legacy Vice Chairman |
| Jim France | Chairman |
| Lesa Kennedy | Director |
| Ed Bennett | Chief Executive Officer |
| John Doonan | President |
| Tracey Lesetar-Smith | Director and Legal Counsel |
| David Pettit | Senior Vice President, Marketing |
| Simon Hodgson | Vice President, Competition |
| Brandon Huddleston | Vice President, Partnership Marketing and Business Development |

***Deceased**

ARTICLE 1. DEFINITIONS SPECIFIC TO THE TECHNICAL REGULATIONS

- 1.1.1. **Car** means a singular representation of a Car Model, entered by an Entrant in an Event.
- 1.1.2. **Car Model** means a specific model of a vehicle constructed by an IMSA-recognized Manufacturer Partner, and intended for Competition.
- 1.1.3. **Class** means a category for Cars sharing a common set of Homologation Regulations and differentiated from others by type of Car Model.
- 1.1.4. **Competition** means a contest of competitive nature in which a Car takes part during an Event and results of which Competition are published.
- 1.1.5. **Constructor** means an entity that designs and builds race car chassis.
- 1.1.6. **Entrant** means an entity or person who has entered a Car that has been accepted for Competition and holds an IMSA Membership in the capacity of an Entrant or Entrant/Driver.
- 1.1.7. **Event** means an IMSA Sanctioned motorsport activity. It includes the designated Race as well as all periods for registration, inspections, practice Sessions, qualifying Sessions, racing, pre- and post-Race activities and inspections, and rain or postponed dates related thereto.
- 1.1.8. **Homologate** means to execute the Homologation Process.
- 1.1.9. **Homologated** means a Car Model approved through the Homologation Process.
- 1.1.10. **Homologation** means the concept of all things associated with Homologation Authority approval via the Homologation Process.
- 1.1.11. **Homologation Authority** means an entity with the authority to Homologate.
- 1.1.12. **Homologation Documentation** means all files, documents, information, and communication associated with the issuance of official approval of Homologation.
- 1.1.13. **Homologation Identifier** means the unique identifier (generally including a string of characters identifying the Category or Class of Homologation followed by a sequential number assigned to the Car Model) serving as a reference to the official approval of Homologation, assigned by the Homologation Authority.
- 1.1.14. **Homologation Process** means all procedures associated with petitioning a Homologation Authority for approval that a Car Model complies with the Homologation Regulations.
- 1.1.15. **Homologation Regulations** means a set of technical requirements and criteria used to design, construct, and document a Car Model intended for racing in a specific category or class of racing.
- 1.1.16. **Manufacturer** means a Manufacturer Partner constructing an approved Car Model.
- 1.1.17. **Manufacturer Partner** means a recognized IMSA Official Automotive Partner.
- 1.1.18. **Specification** means all technical characteristics of the Car Model defined by the Homologation and Technical Catalog.
- 1.1.19. **Specific Homologation** means the Homologation specific to a particular Car Model.
- 1.1.20. **Technical Catalog** means IMSA's collection of data and documents supporting a Car Model
- 1.1.21. **Technically Eligible** means conforms to all technical requirements and criteria defined by these Technical Regulations.

ARTICLE 2. TECHNICAL PHILOSOPHY

2.1. Technical Eligibility

- 2.1.1. Cars representing a Car Model must always respect the Specification.
- 2.1.2. To be eligible for participation in this Class, a Car Model must:
 - a. Be a Car Model constructed by an IMSA-recognized Manufacturer Partner.
 - b. Hold a valid Homologation, approved and issued by an IMSA-recognized Homologation Authority.
- 2.1.3. IMSA is the sole authority to define the Technical Eligibility of a Car Model and issue the Technical Credential.

2.2. Balance of Performance Adjustment

2.2.1. N/A

2.3. Changes

2.3.1. Changes to the Specification are prohibited, unless explicitly authorized by IMSA.

2.3.2. Manufacturers alone are permitted to petition IMSA to change the Specification; requests by Entrants are not recognized.

2.4. Conflict Resolution

2.4.1. These IMSA Technical Regulations shall govern where a conflict exists with the Homologation Regulations and Documentation.

2.5. Final Authority

2.5.1. IMSA is the Final Authority with respect to these Technical Regulations.

2.6. Conditions for Use of a Specific Homologation

2.6.1. At all times during IMSA-sanctioned Events it is the Entrant's responsibility to ensure the configuration of the Car Model represents the Homologation components of the Specification; including:

- a. As-Homologated Configuration
- b. As-Delivered Configuration
- c. Parts Manual
- d. Homologation Extension Form Configuration

2.6.2. The original, As-Homologated Configuration of the Car Model must not be modified unless permitted by these Technical Regulations.

2.6.3. The As-Delivered Configuration of a Car must respect the as-received configuration from the Car Model Manufacturer, unless permitted by these Technical Regulations.

2.6.4. The Parts Manual is the official parts catalogue for the Car Model as defined by the Car Model Manufacturer or Constructor:

- a. Specific parts listed in the Parts Manual must be used on all representations of a Car Model unless permitted by these Technical Regulations.

2.6.5. To be eligible for use in any IMSA-sanctioned Event, modifications detailed in Homologation Extension Forms must:

- a. Be approved by, or have initiated the process to obtain approval from, the Homologation Authority, and appended to the Car Model Homologation.
- b. Be approved by IMSA.
- c. Be available to all Entrants of the relevant Homologated Car for the next Event.

ARTICLE 3. TECHNICAL TESTING AND VERIFICATION

3.1. Reference Components

3.1.1. IMSA may request Manufacturers submit reference components, tooling, and/or templates to the IMSA Technical Department.

- a. IMSA may retain these components without compensation.
- b. Manufacturers are responsible for all costs as related to submitting reference components.
- c. Fees may apply.

3.2. Technical Testing

- 3.2.1. Testing conducted by IMSA; may be performed; including, but not limited to:
- Restrictor Flow
 - Engine Dyno
 - Wind Tunnel
 - On-track Testing
 - Refueling Testing

ARTICLE 4. BALANCE OF PERFORMANCE

4.1. Balance of Performance

- 4.1.1. Not Applicable

ARTICLE 5. SAFETY

5.1. Driver Safety Harness System

- 5.1.1. As Homologated
- 5.1.2. Installation must be performed in accordance with instructions provided by the system supplier and/or manufacturer.
- Belt components must be installed at each anchor point to prevent accidental release or opening.
 - Individual belt straps must be independent; any method or attempt to combine individual straps is prohibited.
 - Elastic retention straps are prohibited on shoulder belts.
- 5.1.3. Harnesses must be replaced at the request of IMSA, or whenever the following conditions occur:
- Expiration:
 - FIA Homologated: Immediately following December 31st of the year printed on the label.
 - SFI Certified: Immediately following December 31st two (2) years after the year of Manufacture.
 - Damage:
 - Following a severe collision.
 - Webbing is cut or frayed or weakened due to actions of chemicals or sunlight.
 - Buckles are bent, deformed, rusted, or improperly functioning.
- 5.1.4. Entrants are responsible for ensuring the Driver safety harnesses and all associated components are properly labeled, installed, used, and maintained.

5.2. Seat

- 5.2.1. As Homologated.

5.3. Driver Containment Nets

- 5.3.1. Not Applicable

5.4. Protective Padding

- 5.4.1. Cars must be equipped with non-flammable protective padding with a valid label demonstrating compliance with one of the following standards:
- FIA Standard 8857-2001: FIA Roll Cage Padding Standard
 - [FIA Technical List #23](#): Roll Cage Padding Homologated by the FIA
 - SFI Specification 45.1: Roll Cage Padding
 - [Specification](#)
 - [Manufacturers](#)

5.4.2. Installation requirements:

- a. Padding must be located to protect the Driver (body and/or helmet) against direct contact with the safety cage in a collision.
- b. Protective padding must be securely affixed to prevent rolling or displacement.

5.5. Protective Shielding

5.5.1. As Homologated

5.6. Master Electrical Switches

5.6.1. As Homologated

- 5.6.2. Interior and exterior master switches must be clearly identified by a self-reflective symbol of a red spark surrounded by a white-edged, blue triangle with a base greater than 30 mm.

5.7. Fire Suppression System

5.7.1. As Homologated

5.7.2. Identification

- a. Exterior activation mechanism must be marked with a self-reflective symbol with a red edge surrounding a red "E" inside a white circle at least 100 mm in diameter.

5.7.3. Inspection

- a. IMSA may require removal of the fire bottle for Technical Inspection.
- b. Entrant is responsible to demonstrate proper system function of the interior and exterior fire suppression activation mechanisms, using the "test" mode if present.

ARTICLE 6. DEFINITION OF CLASS

6.1. LMP3

- 6.1.1. Class Structure: 2020 and newer LMP3 cars compete in the P3 Class of the IMSA PROTOTYPE CHALLENGE (IPC).

- 6.1.2. Eligibility Requirements: To be eligible for participation in the Class, a Car Model must respect the Specification defined by the Homologation and Technical Eligibility requirements:

- a. Homologation (LMP3):

| | |
|------------------------------------|--|
| Homologation Authority: | Automobile Club de l'Ouest (ACO) |
| Homologation Specification: | Automobile Club de l'Ouest (ACO) LMP3 |
| Homologation Regulations: | 2021 Technical Regulations for LMP3 Prototypes (v 1.6) |

ARTICLE 7. VEHICLE SYSTEMS

7.1. General

- 7.1.1. All Vehicle Systems and associated sub-systems are listed in this Article.

- a. Where change to the Homologated Vehicle Systems is permitted, regulatory text is **bold and underlined**.
- b. Where change to the Homologated Vehicle Systems is prohibited, regulatory text is light grey.
- c. Advisory statements are in normal text.

7.2. Modifications to the Specification

- 7.2.1. Entrants are permitted to execute the following changes to parameters defined by the Homologation component of the Car Model Specification, provided these Technical Regulations, all current Technical Bulletins, and the Technical Credential are fully respected:
 - a. Adjust component settings defined as adjustable.
 - b. Replace components with parts defined as optional.
- 7.2.2. Manufacturers must make any declarations listed in these Technical Regulations in the Technical Eligibility Form.
- 7.2.3. Further authorization to modify the Specification and/or As-Delivered Condition is granted via the following formal communication methods:
 - a. Published IMSA Technical Bulletin
 - b. IMSA Technical Committee Bulletin
- 7.2.4. Informal and/or verbal communication is not considered valid authorization.
- 7.2.5. Modifications permitted for IWSC are permitted in P3 under the following conditions:
 - a. The IWSC Event must be concurrent with the IPC Event.
 - b. The applicable Car must be entered in the LMP3 Class of IWSC.

7.3. Servicing, Repair, and Replacement

- 7.3.1. All servicing or repair must be made in good faith to restore the Car and all components to their originally intended form and function as defined by the Specification.
- 7.3.2. Entrants are permitted to replace damaged or worn components provided these Technical Regulations are respected.

7.4. Dimensions

- 7.4.1. General
 - a. IMSA's calibrated measurement instruments are the official measurement instruments.
- 7.4.2. Reference Surface
 - a. The lowest plane of the underside of the car of the Car is measured to the Technical Inspection scale plane.

7.4.3. Mass

- a. The minimum mass for all Car Models is 950 kg.
- b. Car mass is measured as-raced minus Driver and Fuel using the IMSA scales during Technical Inspection.

7.4.4. Ballast

- a. **Entrants are permitted to add or remove ballast to achieve minimum mass:**
 - i. Ballast must be in plate or panel form.
 - ii. Addition or removal of ballast during the race is prohibited.

7.4.5. Ground Clearance

7.4.6. Overall Dimensions

- a. Length
- b. Width
- c. Height
- d. Wheelbase
- e. Track
- f. Overhang
- g. Width

7.5. Chassis

7.5.1. General

- a. **Entrants are permitted to execute minimum modifications for the installation of components.**
 - i. All modifications must be approved by IMSA.

7.5.2. Air Jack System

7.6. Driver Interface

7.6.1. General

7.6.2. Steering Wheel

7.6.3. Pedal Box

- a. **Entrants are permitted to apply non-slip adhesives to the surface of driver pedals.**

7.6.4. Shifting Mechanism

7.6.5. Driver Adjustable Components

7.6.6. Driver Cooling Systems

7.7. Bodywork

7.7.1. General

- a. **Entrants are permitted to install the following films to the front windscreen:**
 - i. Tear-off
 - ii. Anti-fog

7.7.2. Bodywork Seams

- a. **Entrants are permitted to apply tape or vinyl around refueling receptacle seams and/or rear wing end fence adjustment holes.**

7.7.3. Decals

- a. **Entrants are permitted to apply removable die cut sponsorship decals with the approval of IMSA.**
- b. Windows must remain free of decals and/or tint unless required by IMSA

7.8. Aerodynamic Elements

7.8.1. General

7.8.2. Splitter

7.8.3. Dive Planes

7.8.4. Body Gurney

7.8.5. Wings

7.8.6. Rear Wing Gurney

7.8.7. Floor

7.8.8. Friction Blocks

7.8.9. Diffuser

7.9. Engine System

7.9.1. General

- a. Manufacturer seals must be respected

7.9.2. Engine

- a. The permitted engine is the Oreca VK56.

7.9.3. Lambda

7.9.4. Oiling System

- a. Approved lubricants are permitted to be utilized.

7.9.5. Engine RPM

7.9.6. Intake

7.9.7. Exhaust

- a. Entrants who are entered in both IPC and IWSC LMP3 at same Event, are permitted to use the Event specific IWSC LMP3 exhaust configuration.

7.9.8. Turbo

7.9.9. Engine Control Unit (ECU).

7.10. Boost Management

7.10.1. Maximum Boost Pressure

7.10.2. Boost Pressure Ratio

7.10.3. Boost Control Strategy Inputs

7.10.4. Calculation Method

7.11. Drive System

7.11.1. General

- a. Manufacturer seals must be respected

7.11.2. Fluids & Lubricants

- a. **Unrestricted.**

7.11.3. Clutch

- a. Entrants are permitted to utilize the Oreca VK56/VK50+ Clutch Evo Kit.

7.11.4. Gearbox

7.11.5. Gears

7.11.6. Gearbox Control Unit

7.11.7. Differential

7.11.8. Axles

7.11.9. Uprights

7.12. Cooling System

7.12.1. General

7.12.2. Fluids

- a. **Entrants are permitted to utilize the following approved cooling fluids:**
 - i. Water
 - ii. Air
 - iii. Non-glycol based fluids

7.12.3. Inlet Blockers

7.12.4. Water System

7.12.5. Oil Cooling System

7.13. Fuel System

7.13.1. General

- a. Maximum Capacity
 - i. The maximum fuel system capacity for all cars is 100 liters.
 - ii. The maximum fuel capacity is the total volume of fuel contained in the Car.

7.13.2. Fuel Types

- a. The approved fuel for the Class is IMSA E10, as supplied by VP Fuels.
 - i. IMSA may require a fuel sample for inspection via a gas chromatograph.

7.13.3. Fuel Cell

- a. **Entrants must use blocks or balls to achieve maximum fuel system capacity**
 - i. Any device, system, or procedure to increase, even temporarily, the total fuel storage capacity beyond the maximum is prohibited.

7.13.4. Fuel Lines

7.13.5. Fuel Sample Port

7.13.6. Refueling Receptacle

- a. **During Practice and Qualifying Sessions, Entrants are permitted to install and utilize an ATL dry-break for the purpose of adding fuel to the Car.**
 - i. ATL dry-break and associated equipment must be removed from the Car during the Race.

7.14. Brake System

7.14.1. General

7.14.2. Fluids & Lubricants

- a. **Unrestricted.**

7.14.3. Bias Assembly

7.14.4. Master Cylinders

7.14.5. Brake Lines

7.14.6. Calipers

7.14.7. Rotors

7.14.8. Pads

7.14.9. Ducting

7.14.10. Brake Duct Inlet Blockers

- a. **Entrants are permitted to apply opaque adhesive tape to block off portions of the brake duct inlet openings.**

7.14.11. Anti-Lock Braking System

7.15. Steering System

7.15.1. General

7.15.2. Fluids & Lubricants

- a. **Unrestricted.**

7.16. Suspension System

7.16.1. General

7.16.2. Geometry Elements

7.16.3. Springs

a. **Entrants are permitted to change primary spring rates:**

- i. The As-delivered number of springs per wheel must be respected.

7.16.4. Dampers

- a. Dampers must be utilized with valving and internals as per the applicable Constructor's IMSA Technical Credential.
- b. Dampers must be used with intact seals.
- c. Dampers must be unmodified from the approved rebuilding and sealing vendor. The approved rebuilding and sealing vendor is:

| Chassis Constructor | Damper | Address |
|-------------------------------------|--------|--|
| Ligier, Duqueine, Ginetta, Adess | Ohlins | Ohlins North America Attn: LMP3 Service 703 Grove Street Hendersonville, NC 28792 |

- d. Entrant is responsible for all costs associated with the sealing program, including seals, inspections, labor, shipping, and handling.
 - i. Entrant is responsible for shipping to the approved rebuilding vendor with adequate time for the vendor to perform the required service.
- e. Dampers must be identified with car number when in use and when being sealed.

7.16.5. Bump Rubbers and Packers

a. **Unrestricted.**

7.16.6. Anti-Roll Bar

7.16.7. Third Elements

7.17. Wheels & Tires

7.17.1. General

7.17.2. Wheels

7.17.3. Wheel Attachment

7.17.4. Tires

- a. The approved tire supplier for this Class is Michelin.
- b. Tires must be used in accordance with SSR Attachment 3.

7.18. Electronics

7.18.1. General

- a. Driving Camera
 - i. **Entrants are permitted to install a "Connected" camera system mounted per the applicable Car Model's Homologation.**
 - ii. Entrants are permitted to install a stand-alone camera as a substitute to the "Connected" camera system.
 - (i) Stand-alone camera must be installed in the Homologated location.
- b. Lap Timer
 - i. **Entrants are permitted to install a lap timer.**
 - ii. Lap timer must be mounted per the applicable Car Model's Homologation.

- c. Pitlane Timer
 - i. **Entrants are permitted to install a pitlane timer.**
 - ii. Pitlane timer must be mounted in the space defined for the lap timer in the applicable Car Model's Homologation.
 - d. GPS Antenna
 - i. If any permitted equipment uses a GPS antenna, the antenna must be mounted no less than 75 cm away from the mandatory GPS antenna.
- 7.18.2. Data Logger
- a. IMSA reserves the right to download and/or view all logged data at any time.
 - b. Any such equipment must be correctly mounted and in place for pre-event scrutineering.
 - c. Any electronic device liable to interfere with the proper function of the on-board electronics (included but not limited to ECU, Data logger, ADR, GPS antenna) is forbidden.
 - d. IMSA may at any time ask for removal of any electronic equipment if it is deemed to pose a safety problem or if it interferes with the mandatory electronic equipment.
- 7.18.3. Telemetry
- 7.18.4. Wiring Loom
- 7.18.5. Sensors
- 7.18.6. Radio
- a. **Entrants are permitted to install a single two-way voice radio with car-to-pit communication capability in compliance with the corresponding Series Sporting Regulations.**
 - i. Entrants who are entered in both IPC and IWSC LMP3 at same Event, are permitted to use the Event specific IWSC radio configuration.
- 7.18.7. Rear View Camera
- 7.18.8. Tire Pressure Monitoring System (TPMS)
- a. **Entrants are permitted to install a Tire Pressure Monitoring System (TPMS).**
 - i. The homologated mounting position(s) must be respected.

ARTICLE 8. SERIES REQUIRED ELECTRONICS

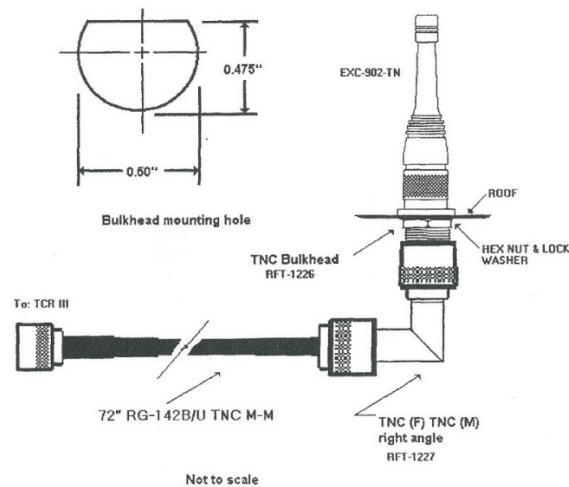
8.1. Series Scrutineering Data System

- 8.1.1. Cars must be equipped with an IMSA-supplied data logger when requested.
 - a. Cars must have a dedicated 12 V power lead to install the IMSA-supplied data logger.
 - b. Power lead shall remain on as long as the master kill is switch is on.

8.2. Safety Light System

- 8.2.1. Cars must be equipped with the MSE Yellow Light Kit to indicate active flag status.
 - a. The Kit contains the following components:
 - i. Yellow Indicator Light
 - ii. Mounting Bracket
 - iii. Antenna
 - iv. Wiring Loom and Instructions
- 8.2.2. The Safety Light system must be installed and functioning during on-track activity.
 - a. The Yellow Indicator Light must be prominently installed within the cockpit, in clear line of sight of the driver.
 - b. Antenna Installation: The supplied antenna must be mounted:

- i. On the Car roof
- ii. Away from other antennae
- iii. Following the diagram below (a ground plane is not required):



- c. Wiring Loom Installation: The Wiring Loom has a flying lead input for +12 VDC and Ground to interface with additional wiring referenced in the installation instructions.
 - i. Entrants must supply additional wiring as required.

8.2.3. An activating receiver is available from IMSA during Safety Checks at each Event and remains the property of IMSA.

- a. Entrants must surrender the receiver when required by IMSA.
- b. A lost or damaged receiver is subject to a replacement fee referenced in the IMSA Accessories form.

8.2.4. Cars must be equipped with MoTec Driver ID Module #RG OTC

- a. Available for purchase through MoTec.

8.2.5. Entrant must supply Driver ID Plugs.

8.2.6. Female Driver ID plug(s), (i.e. Driver #1 through Driver #5) may be installed inside the Car cockpit or attached to the individual Drivers' helmets.

- a. Alternative installations must be approved by IMSA.

8.2.7. Transponder and plugs must be tested and operate to the satisfaction of the Timing and Scoring Officials.

8.3. X2 Transponder System

8.3.1. Cars must be equipped with the X2 Transponder System Kit.

- a. X2 Transponder Kit contains the following component(s):
 - i. Transponder.
 - ii. Isolation Mounts.

8.3.2. X2 transponder must be purchased via the IMSA Accessories Order Form.

8.3.3. The transponder must be installed in the same location as the applicable Constructor has determined in the Scrutineering Homologation Document.

8.3.4. Transponder must be mounted using the mounting bracket with appropriate thermal protection in an area where the temperature cannot exceed 50 °C

8.3.5. The following components are required:

| Constructor | Driver ID Module | Main Loom |
|-------------|------------------|-------------|
| Ligier | PV0176.03 | 3800-DI033A |
| Duqueine | PV0176.03 | 3800-DI039A |
| Ginetta | TBD | TBD |
| Adess | TBD | TBD |

8.4. Leader Light System

8.4.1. Cars are permitted to be equipped with LED leader light panel system as used in IWSC.

8.5. Back-lit Panel

8.5.1. Cars are permitted to be equipped with back-lit panels as used in IWSC.

8.5.2. Back-lit panel must not be functional.

8.6. Pro-Am Light

8.6.1. Cars are permitted to be equipped with a Pro-Am light as used in IWSC.

8.6.2. Pro-Am light must not be functional.

8.6.3. Rain Light

8.7. In-Car Camera

8.7.1. See SSR 15 and SSR 16.

ARTICLE 9. REFUELING SYSTEM

9.1. Fuel Transfer

9.1.1. Fuel must be transferred from the autonomous supply tank to the Car using the equipment and methods defined in this Article.

a. Approved equipment as defined herein must be:

- i. Unmodified.
- ii. Installed and operational.

b. Approved method:

- i. Gravity.

9.1.2. Fuel transferred to the autonomous supply tank must be delivered by means of a hose fitted with a self-sealing connector (e.g. dry break, cam-lock) connected to the autonomous supply tank.

9.2. Pit Tank

9.2.1. Construction of the Autonomous Supply Tank must:

- a. Comply with FIA Appendix J Drawing n° 252-7 with the exception of the top plate shape and dimensions.
- b. Not have sensors other than as required by IMSA.

9.2.2. Refueling tank height is measured from the top surface of the vessel, not including vent, cover plate or fasteners at a distance 1.25 meters from the outermost face of the pit wall.

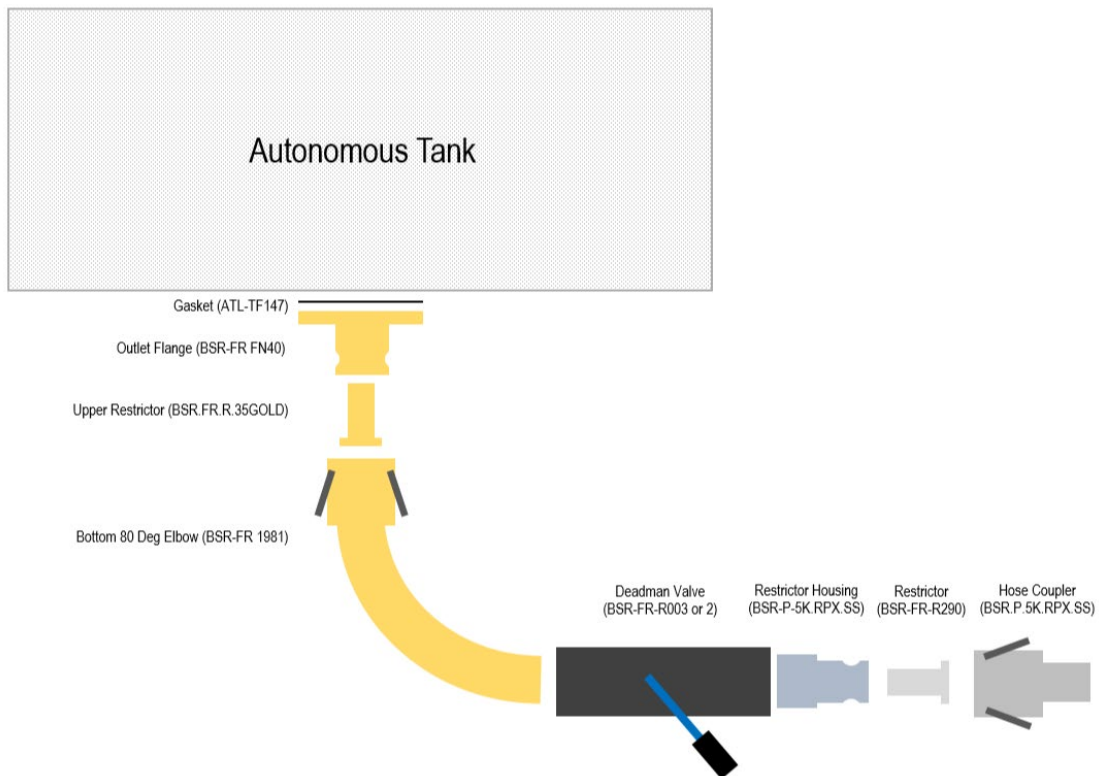
- a. The required refueling tank height is 2.0 meters with a tolerance of +0/-1.0 cm.
- b. Once inspected by an IMSA Official the autonomous tank may not be moved until the conclusion of the Race or upon an approved retirement via TIMS.

9.3. Peripheral Connections

- 9.3.1. Tanks must be equipped with the IMSA-specified peripheral connections between the tank outlet and the refueling hose.
- 9.3.2. Parts must be purchased from RPXpress and used unmodified:

| Part Number | Part | Description |
|------------------|-----------------------------|---|
| BSR-FR FN40 | Restrictor Housing | Bottom Tank 12-bolt housing |
| ATL-TF 147 | 12-Bolt Gasket | |
| BSR.FR.R.35GOLD | 35 mm Restrictor | Upper Restrictor (for positive seal to elbow) |
| BSR-FR 1981 | Bottom 80 deg. Elbow | Female Camlock x 2" Male |
| BSR.PK56.SS | Restrictor Housing | Deadman Outlet, 2" Male to 1 1/2" Camlock |
| BSR.P.5K.RPX.SS | Hose Coupler | 1.5" OD barb to Deadman outlet |
| | | |
| 1 Deadman Valve: | | |
| BSR-FR-R003 | Deadman Valve (new design) | Stainless Deadman Valve |
| BSR-FR-R002 | Deadman Valve (old design) | Brass Deadman Valve |
| | | |
| BSR-FR-R290 | Mandatory Restrictor (LMP3) | 29.0 mm restrictor |

a. Refueling System Assembly Illustration

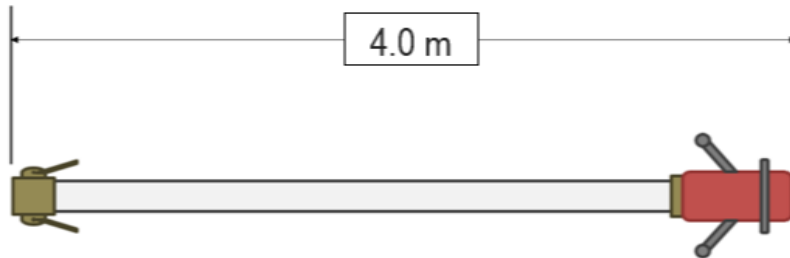


- 9.3.3. Deadman valve and bottom 80 deg. elbow assembly must be securely braced to remain attached to the tank in the event of an incident.
 - a. Mechanisms preventing normal operation of the deadman valve are prohibited.
- 9.3.4. During refueling the air vent outlet must be connected using an appropriate coupling to the tank.

- 9.3.5. A sight glass may be installed to the outside of the supply tank, and must be equipped with isolating valves mounted as close as possible to the tank.

9.4. Refueling Hose

- 9.4.1. Refueling/vent hoses must have one end equipped with a self-sealing connector to fit the autonomous supply tank outlet.
- 9.4.2. Refueling/vent hoses are permitted to be protected for the sole purpose of resisting abrasion damage.
- Cover must be easily removable by means of full-length Velcro ® or zipper.
 - Cover must be non-reflective.
- 9.4.3. Hose maximum inside diameter:
- Dual-Port systems must be less than 1.5 inches for all hoses.
 - Single-Port (coaxial) systems must be less than 1.5 inches for Refueling Hose and less than 75.0 mm for the vent hose.
- 9.4.4. Refueling hose minimum length must be greater than 4 meters.
- Minimum length is measured from the most distant plane of the dry break/fuel probe to the most distant plane of the fuel hose coupler.



9.5. Tank Support Stand

- 9.5.1. The tank must be attached to one of the following:
- Through a tower, to a trolley meeting the following requirements:
 - All tower components must be assembled without any degree of freedom in relation to the trolley.
 - Have a surface area greater than two (2) square meters.
 - Utilize four (4) self-braking casters.
 - Be ballasted with weight exceeding that of the tank when filled with fuel.
 - Scissor style (X-brace) stand
- 9.5.2. Trolley is permitted to have load sensors for the sole purpose of weighing fuel in the Autonomous Tank.

9.6. Boom

Not Applicable

9.7. Refueling Restrictor

- 9.7.1. During refueling, all fuel entering the Car must pass through the refueling restrictor.
- 9.7.2. Refueling Restrictor must meet the following criteria:
- Material must be an aluminum alloy.
 - Must comply with the Fuel Restrictor Part Drawing at the end of these Technical Regulations.
- 9.7.3. IMSA may adjust the refueling rig restrictor diameter via Technical Bulletins.
- Refueling Restrictors may be purchased from RPXpress (Phone: +1-828-428-0820 Email lmcelwain@rpxpress.com).
- 9.7.4. Refueling Restrictors are sealed by IMSA Technical Officials.
- Entrants must receive written approval from IMSA to remove seals following inspection, and seals must be replaced by IMSA Technical Officials prior to on-track activity.
 - The following bolts must be drilled for safety-wire sealing of the restrictor:

- i. Two (2) adjacent bolts of the Restrictor Housing
- ii. Two (2) Hinge Bolts (threaded section) of the Outlet Pipe Cam Lock
- iii. Two (2) Lock Lever Arms of the Refueling Hose Cam Lock
- iv. A 0.125 inch hole must be drilled in the two female camlock levers on the bottom 80 deg. elbow assembly 0.5 inches below pin in the locations indicated in yellow on the diagram below:



9.8. Autonomous Tank Sensor System

9.8.1. Not Applicable